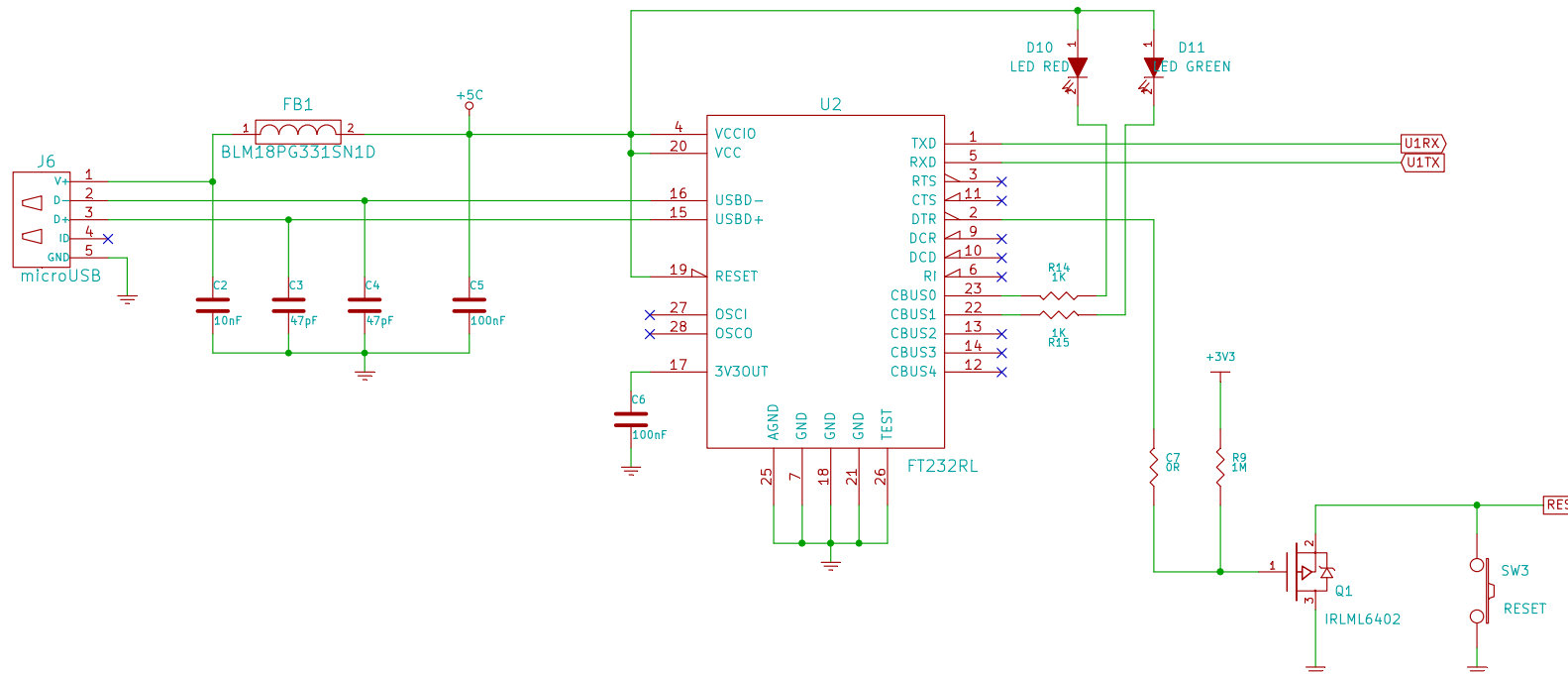
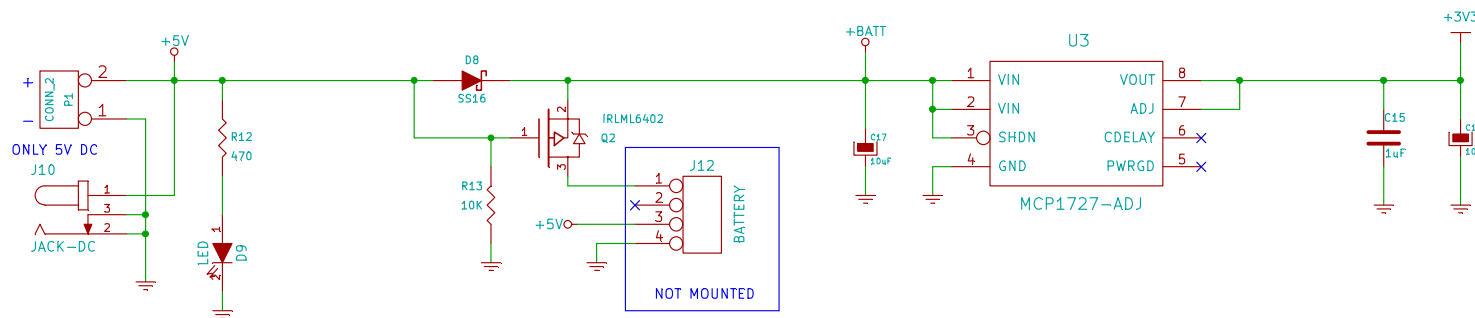
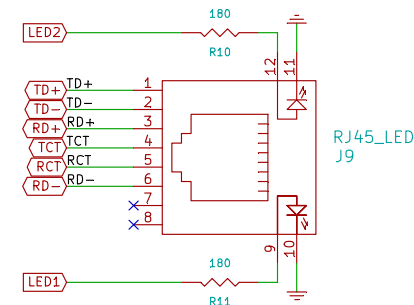
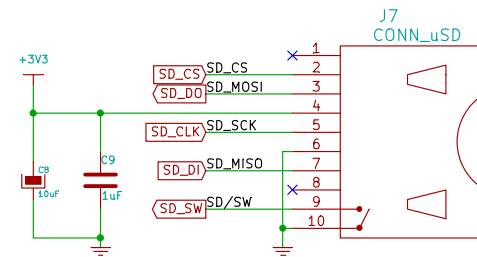
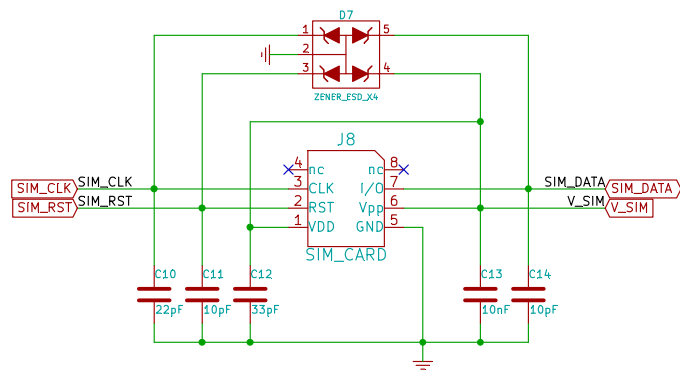


Sheet: Programmer File: dev board flyport\_pro pag.2.sch  
 Sheet: Input/Output File: dev board flyport\_pro pag.3.sch



This schematic by openPicus is licensed under a Creative Commons Share-Alike 3.0 Licence  
<http://creativecommons.org/licenses/by/3.0/>  
 Based on a work at [www.openpicus.com](http://www.openpicus.com).  
 Permissions beyond the scope of this license may be available at <http://www.openpicus.com/site/downloads/FAQs>

<b>OPENPICUS</b>	
File:	
Sheet: /Programmer/	
<b>Title: Devboard Flyport PRO</b>	
Size: A4	Date: 28 apr 2015
KiCad E.D.A. eschema (2013-05-16 BZR 4016)-stable	Rev: 2/3



This schematic by openPicus is licensed under a Creative Commons Share-Alike 3.0 Licence  
<http://creativecommons.org/licenses/by/3.0/>  
 Based on a work at [www.openpicus.com](http://www.openpicus.com).  
 Permissions beyond the scope of this license may be available at <http://www.openpicus.com/site/downloads/FAQs>

<b>OPENPICUS</b>		
File:		
Sheet: /Input/Output/		
<b>Title: Devboard Flyport PRO</b>		
Size: A4	Date: 28 apr 2015	Rev:
KiCad E.D.A. eschema (2013-05-16 BZR 4016)-stable		Id: 3/3