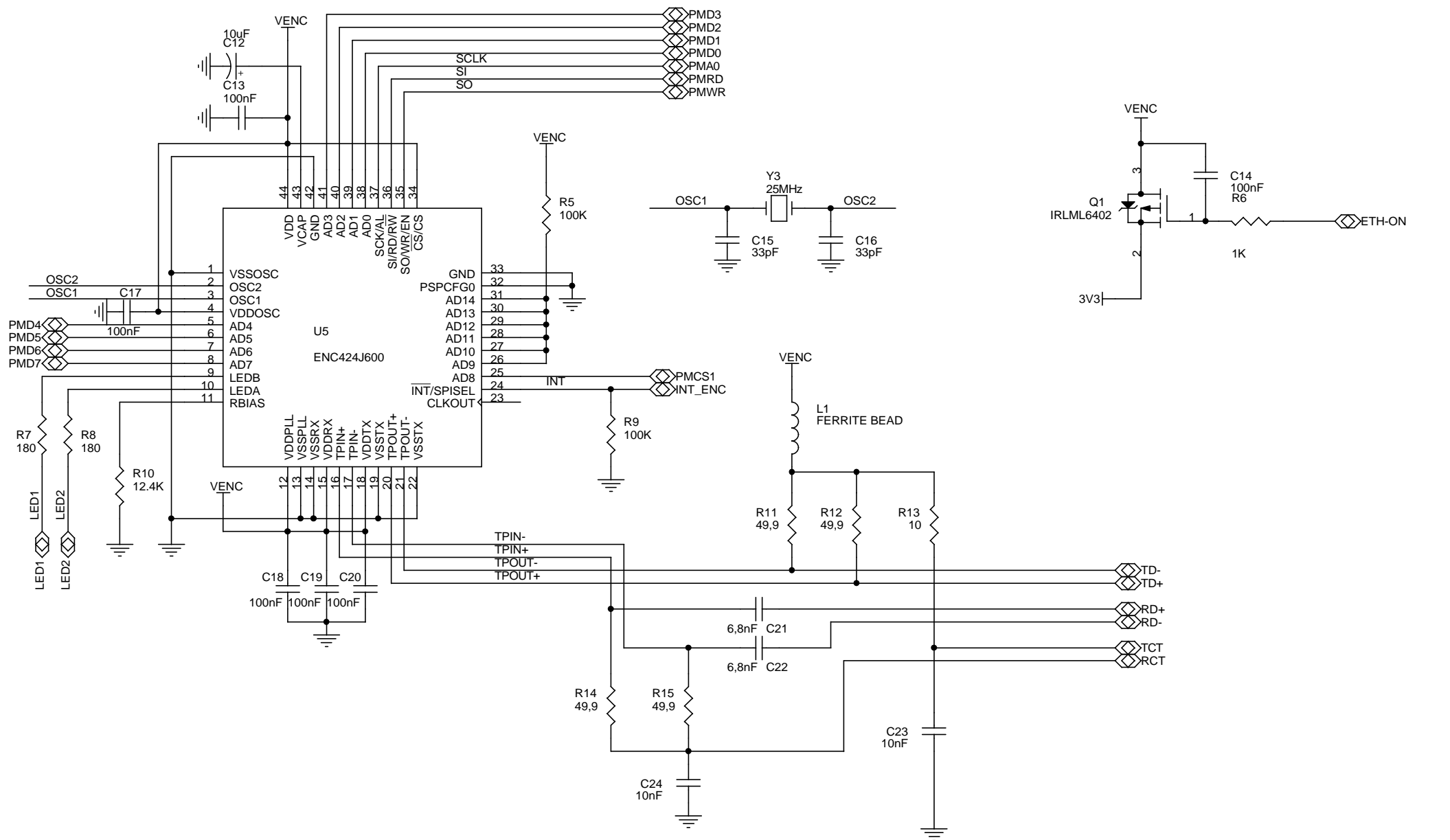


This schematic by openPicus is licensed under a Creative Commons Attribution 3.0 Licence
<http://creativecommons.org/licenses/by/3.0/>
 Based on a work at www.openpicus.com.
 Permissions beyond the scope of this license may be available at <http://wiki.openpicus.com>

Title		
FlyportPRO ETH		
Size	Document Number	Rev
A4	CPU	0
Date:	Thursday, July 04, 2013	Sheet 1 of 2



Title		
FlyportPro ETH		
Size	Document Number	Rev
A4	ENC	0
Date:	Thursday, July 04, 2013	Sheet 2 of 2



This schematic by openPicus is licensed under a Creative Commons Attribution 3.0 Licence
<http://creativecommons.org/licenses/by/3.0/>
 Based on a work at www.openpicus.com.
 Permissions beyond the scope of this license may be available at <http://wiki.openpicus.com>