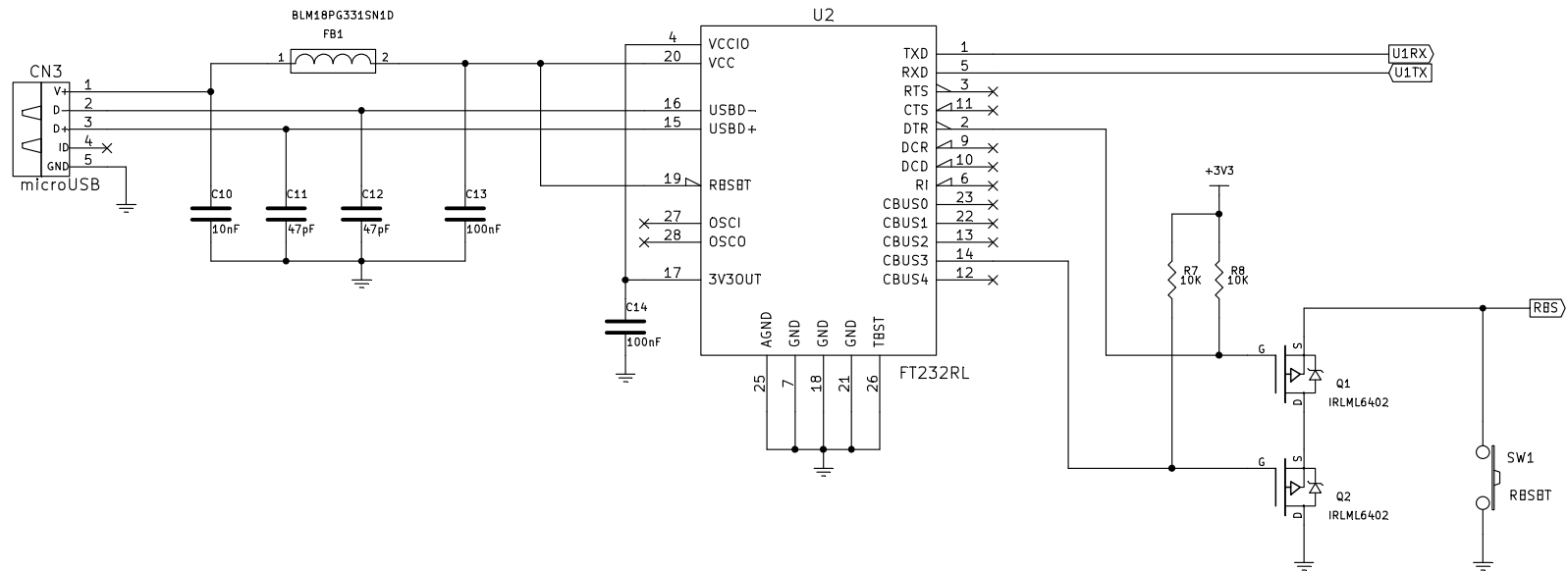


Sheet: Grove Board V2.0 Programmer  
 Sheet: Grove Board V2.0 Power  
 File: Grove Board V2.0 foglio 2.sch  
 File: Grove Board V2.0 foglio 3.sch



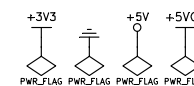
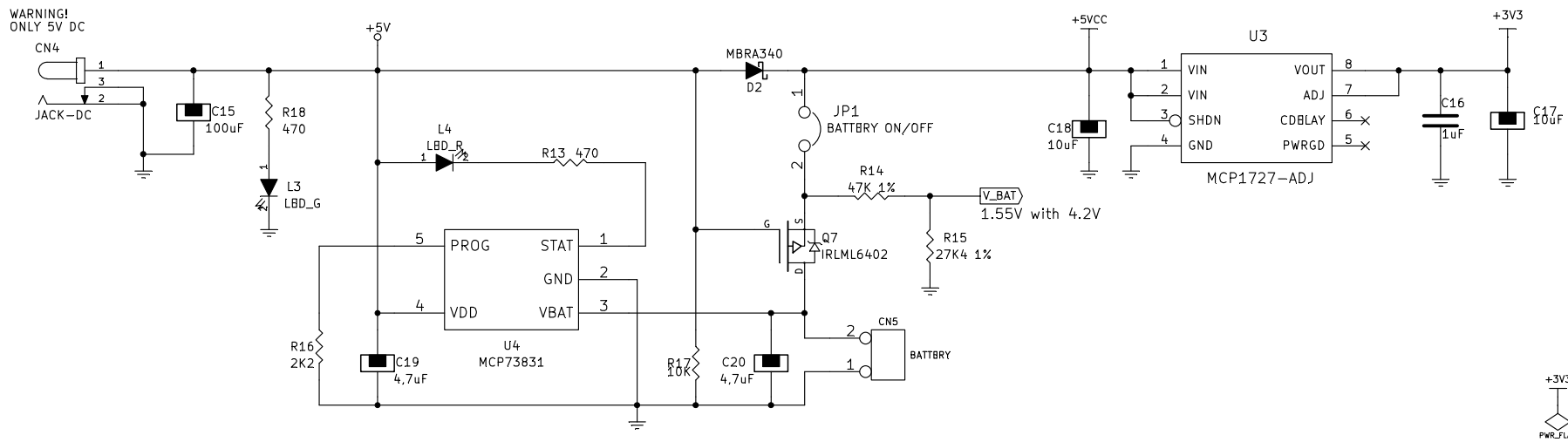
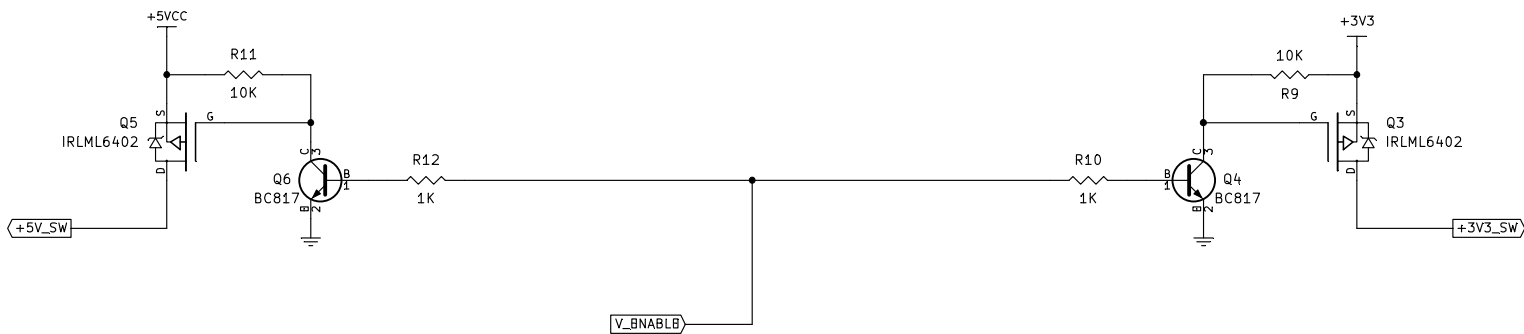
This schematic by openPicus is licensed under a Creative Commons Attribution 3.0 Licence  
<http://creativecommons.org/licenses/by/3.0/>  
 Based on a work at [www.openpicus.com](http://www.openpicus.com).  
 Permissions beyond the scope of this license may be available at <http://wiki.openpicus.com>

File:			
Sheet:	/		
<b>Title:</b>	<b>IoT board</b>		
Size:	A4	Date:	2 sep 2014
KiCad E.D.A.	eeschema (2013-05-16 BZR 4016)-stable	Rev:	<b>0</b>
		Id:	1/3



This schematic by openPicus is licensed under a Creative Commons Attribution 3.0 Licence  
<http://creativecommons.org/licenses/by/3.0/>  
 Based on a work at [www.openpicus.com](http://www.openpicus.com).  
 Permissions beyond the scope of this license may be available at <http://wiki.openpicus.com>

File:		
Sheet: /Programmer/		
<b>Title: IoT board</b>		
Size: A4	Date: 2 sep 2014	Rev: 0
KiCad B.D.A. eschema (2013-05-16 BZR 4016)-stable		Id: 2/3



This schematic by openPicus is licensed under a Creative Commons Attribution 3.0 Licence  
<http://creativecommons.org/licenses/by/3.0/>  
 Based on a work at [www.openpicus.com](http://www.openpicus.com).  
 Permissions beyond the scope of this license may be available at <http://wiki.openpicus.com>

File:		Sheet: /Power/	
<b>Title: IoT board</b>			
Size: A4	Date: 2 sep 2014	Rev: 0	
KiCad B.D.A. eschema (2013-05-16 BZR 4016)-stable		Id: 3/3	